

FIGURE #1

1/2-13NC-2B x 5/8" DP. ~ 2 INSERTS  
180° APART ON A 3.000" DIA. B.C.  
INSERT DWG # 13-A-13-246 IT.6

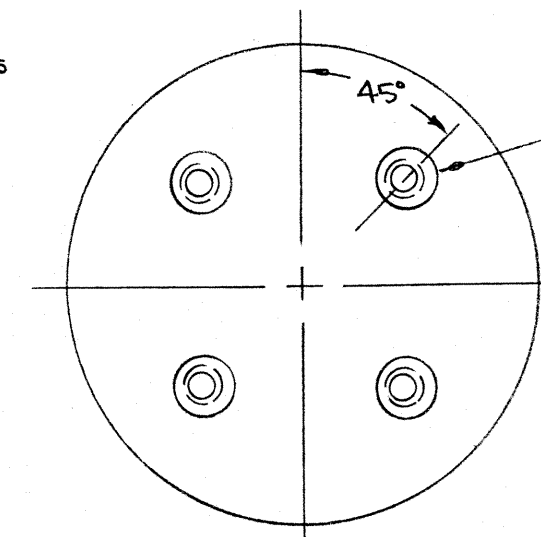


FIGURE #2

1/2-13NC-2B x 5/8" DP. ~ 4 EQ. SPACED  
INSERTS ON A 3.000" DIA. B.C.  
INSERT DWG # 13-A-13-246 IT.6

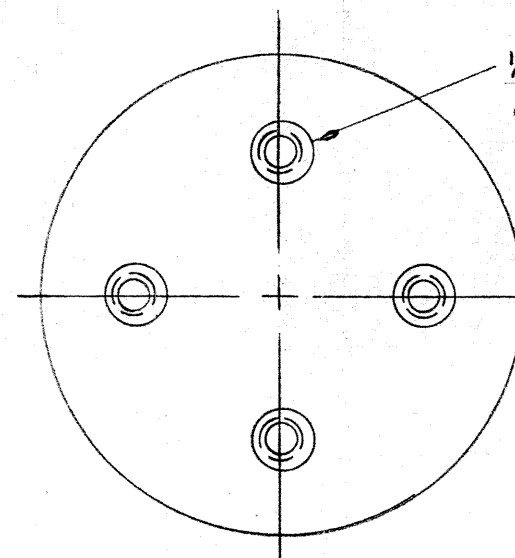


FIGURE #3

1/2-13NC-2B x 5/8" DP. ~ 4 EQ. SPACED  
INSERTS ON A 3.000" DIA. B.C.  
INSERT DWG # 13-A-13-246 IT.6

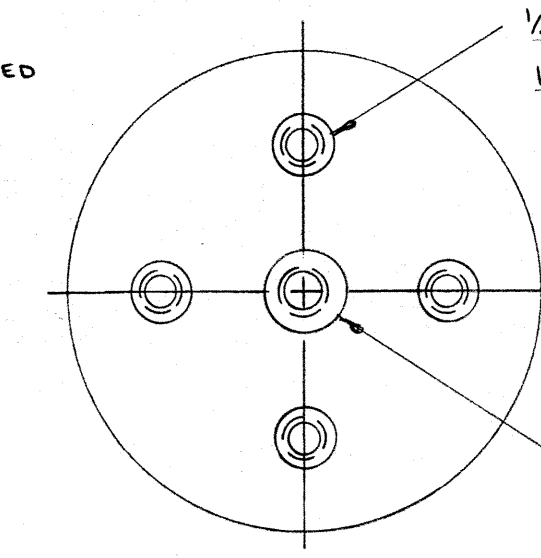


FIGURE #5

1/2-13NC-2B x 5/8" DP. ~ 4 EQ. SPACED  
INSERTS ON A 3.000" DIA. B.C.  
INSERT DWG # 13-A-13-246 IT.6

3/4-10NC-2B x 7/8" DP.  
INSERT DWG # 13-A-13-261 IT.1

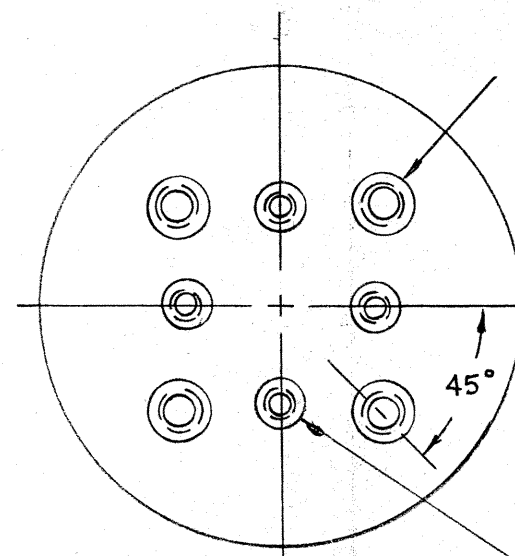


FIGURE #4

1/2-13NC-2B x 5/8" DP. ~ 4 EQ. SPACED  
INSERTS ON A 3.000" DIA. B.C.  
INSERT DWG # 13-A-13-246 IT.6

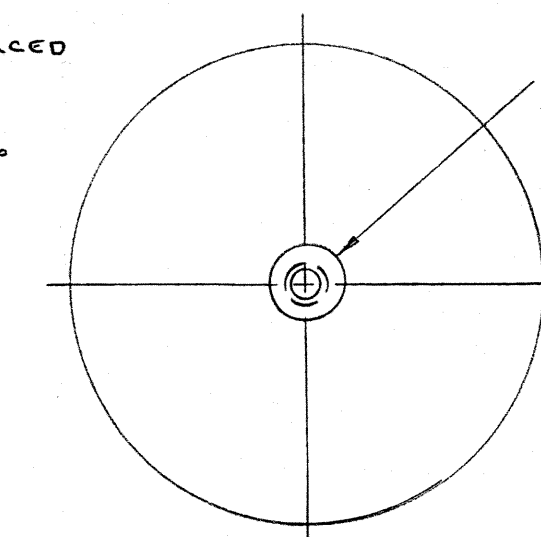


FIGURE #6

(A) 5/8-11NC-2B x 1" DP.  
INSERT DWG # 13-A-13-247 IT.2  
(B) 3/4-10NC-2B x 7/8" DP.  
INSERT DWG # 13-A-13-261 IT.1

(A) 3/8-16NC-2B x 7/16" DP. ~ 4 EQ.  
SPACED INSERTS ON A 2.000" DIA. B.C.  
INSERT DWG # 13-A-13-246 IT.3  
(B) 3/8-16NC-2B x 7/16" DP. ~ 2 INSERTS  
180° APART ON A 2.000" DIA. B.C.  
INSERT DWG # 13-A-13-246 IT.3

MAT'L: CRS-22

ALL INSERTS ARE BRASS UNLESS SPECIFIED OTHERWISE.

\* CANTILEVER FORCE APPLIED 2 1/2" ABOVE ONE END.

WHEN ORDERING, PLEASE SPECIFY INSERT ARRANGEMENT

EXAMPLE: EC 600-25/2/4B

EC600-34	34.5	14 1/2"	10"	39"	200	80	900	13 1/2	1 1/4"	2 1/4"
EC600-25-2	25	10 1/2"	6"	26"	150	60	1,200	9		
EC-600-25-1	25	10 1/2"	6"	26"	150	60	1,200	9	1/2"	1 1/2"
EC600-15-2	15H	7 1/2"	4 1/2" @	16"	110	50	1,600	7		
EC600-15-1	15L	6"	3" @	11 1/16"	95	36	2,000	5 1/2		
PART NO	VOLT. CLASS KV	A	B	CREEP	B.I.L. (KV)	HIPOT 1 MIN. (KV)	CANTILEVER * LBS. ULTIMATE	APPROX. SHIPPING WT	E	F

IT IS THE ULTIMATE RESPONSIBILITY OF THE PURCHASER TO DETERMINE THAT THE DESIGN OF THE PRODUCT IS SUITABLE FOR THE PURCHASER'S INTENDED APPLICATION.

**C-K COMPOSITES, INC.**  
MT. PLEASANT, PENNSYLVANIA

REVISIONS 1 RLS 5-13-96 © WAS 1 1/2" @ WAS 3" E & F ADDED	TOLERANCES (UNLESS SHOWN ON DRAWING) 1. FRACTIONAL DIMENSIONS ± 1/64" 2. DECIMAL DIMENSIONS ± .010"		STANDOFF INSULATOR	
	ORDER NO.		DRAWN	RLJ
	CHECKED		DATE	12-20-95
	APPROVED		SCALE	N.T.S.
REFERENCE	EC 600	16-E-13-844		

ORDER NO.		DRAWN	RLJ	DATE	12-20-95
CHECKED		SCALE	16-E-13-844		
APPROVED		N.T.S.			
REFERENCE	EC 600				